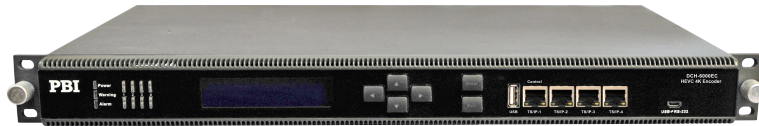


## DCH-6000EC Professional HEVC 4K Encoder

The DCH-6000EC is a high-quality UHD H.265 (HEVC) encoder. It can receive and encode four SD/HD/FHD or one 4K into a Transport Stream (TS) with H.264/H.265 compression. The internal built-in Time Base Correction functional block ensures the stability of encoding process from audio and video intermittence. The internal re-multiplexing function allows creation of a new TS formed with the TS internally encoded and the TS from IP input. The final TS can be multiple SPTS or MPTS over IP, as well as over ASI.

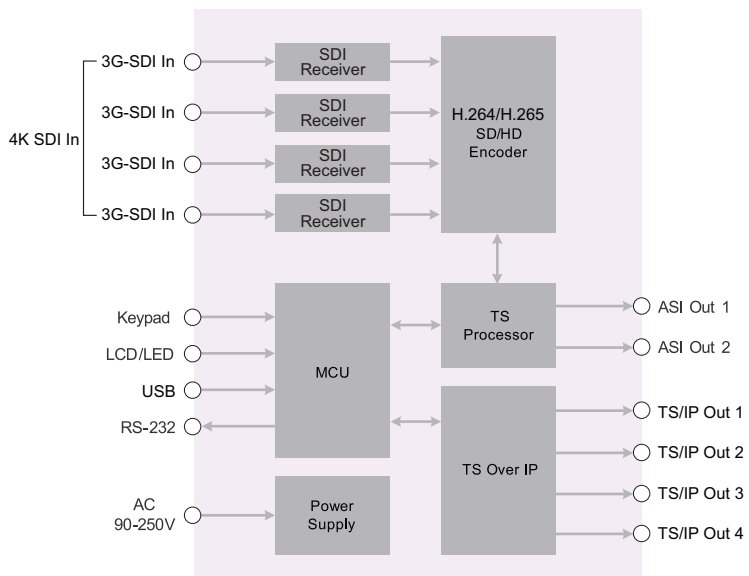


### Main Feature

- Multiple video resolution including 2160p, 2160i, 1080p, 1080i, 720p, 720i, and 480p, 480i
- Multiple inputs 3G/HD/SD-SDI
- Internal Time Base Correction (TBC)
- MPEG-1 Layer II & AAC LC audio encoding
- Supports 100/1000M TS/IP SPTS and MPTS
- Built-in re-multiplexer function.
- Supports VBR and CBR encoding modes
- Remote Control and Supervision by SNMP, HTTP WEB

### Block Diagram

DCH-6000EC Functional Block Diagram



## Specification

Video Compression		Service and PID management	
Video Format	2160p (3840 × 2160)	Filtering and remapping	
	1080p (1920 × 1080)	Remux and demux between IP input and the SPTS encoded	
	1080i (1920/1440 × 1080)	PSI/SI table regeneration, NIT and SDT edition	
	720p (1280 × 720)		
	480i (720 × 480)		
Video Format Rate	576i (720 × 576)		
	60, 59.94, 50,30, 29.97, 25, 24, 23.97		
Compression Standard	H.265(HEVC), H.264(AVC), High Profile Level 4.0		
Aspect Ratio	4:3/16:9 selectable		
Chrominance Sampling	4:2:0 8bits, 4:2:0 10bits, 4:2:2 8bits, 4:2:2 10bits		
Video Encoding Bit Rate	200Kb/s-80Mb/s		
Recommend Video Encoding Bit Rate	3840x2160p 60p/59.94p/50p 6-16Mb/s		
	1920x1080p / 59.94/50 fps: 2~8Mb/s		
	1920x1080i /25/29.97fps: 1~6Mb/s		
	1440x1080i /25/29.97fps: 1~6Mb/s		
Audio Compression	720x720p /50/59.94fps:1~6Mb/s		
	720x480i /29.97fps: 500k/s~4Mb/s		
	200Kb/s-80Mb/s		
Compression standard	MPEG-1 Layer II, AAC LC		
Audio Input	Embedded Audio (from SDI)		
Audio Channels	Stereo, Mono		
Audio Sampling Rate	48KHz		
Audio compression Bit Rate	64 ~ 384Kb/s		
Audio/Video Input Interface		Control & Monitoring	
HD-SDI	4×BNC Female, 75Ω	Connector Type	1×RJ-45, 10/1000 Base-T
TS Processing		Remote Control	SNMP, HTTP Web
TS Output Management	Remux and demux	Local Control	LCD display and 6-key keypad
		Software Upgrade	web
		Physical	
		Dimension	44mm×483mm×318mm
		Net weight	5Kg
		Power supply	AC90~250V, 50Hz/60Hz
		Power Consumption	Maximum 20W
		Operating Temperature	0 ~ 45°C
		Storage Temperature	-10 ~ 60°C
		Humidity	10 ~ 90%, non-condensed

## Back panel Interface

